

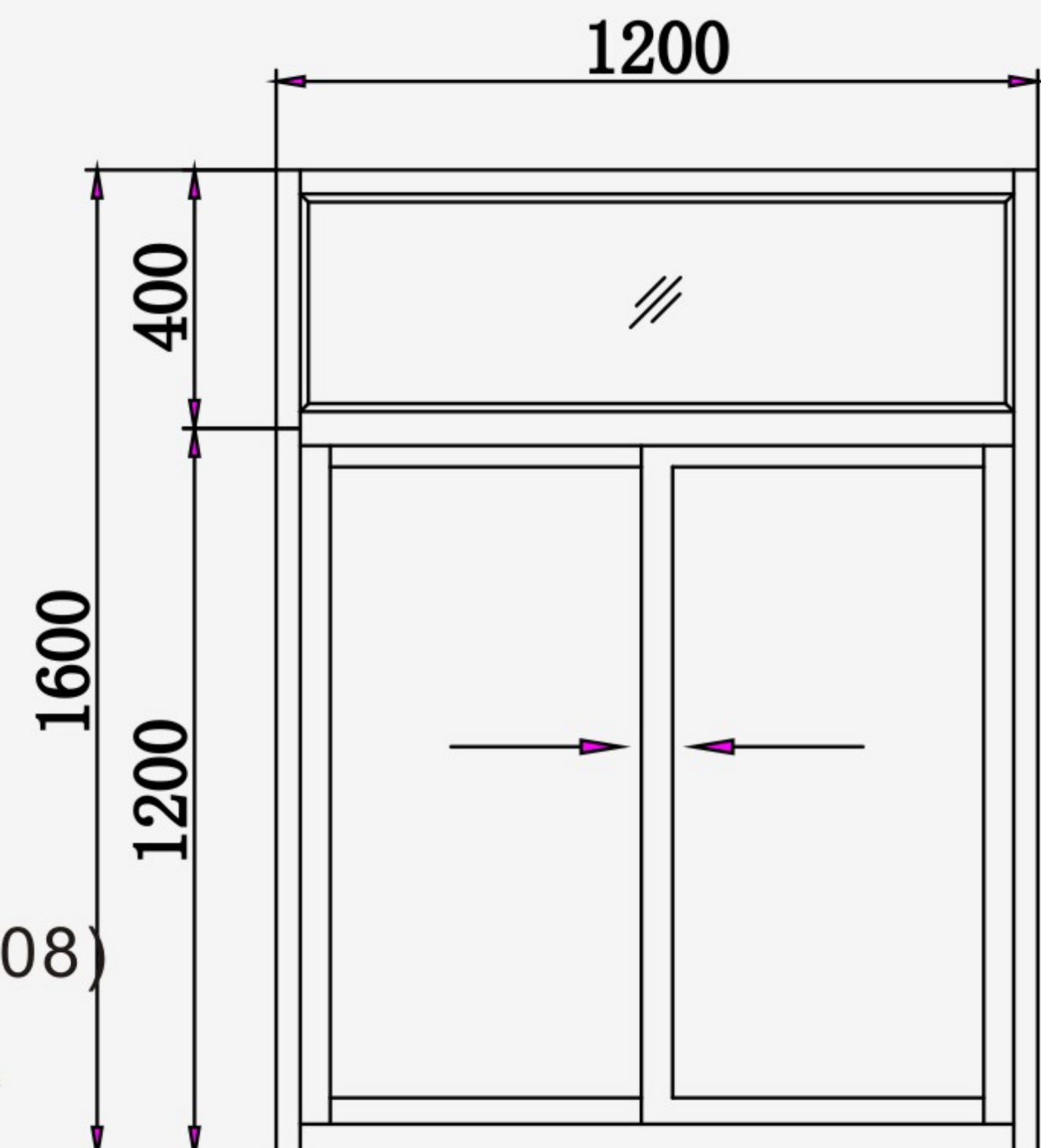


GUANG YA

# Y2KS Series Aluminum Sliding Window With Screen

## Y2KS Series Aluminum Sliding Window With Screen

Product: Y2KS Series sliding window  
 Profile type: Ordinary aluminum profile  
 Frame width: 90.4mm  
 Glazing option: 7~27.6mm  
 Opening style: Sliding opened  
 Profile thickness: 1.4mm(1.2mm, 1.6mm, 1.8,mm)  
 Consumption of aluminum profile: 6.621kg/m<sup>2</sup>



Product performance (in accordance with GB/ T8478 - 2008)

1. Wind loading resistance: Grade 7 -  $4500 \leq P_3 < 5000P_a$
2. Air tightness: Grade 5 -  $2.0 \geq q_1 > 1.5m^3/(m.h)$
3. Water proof: Grade 3 -  $250 \leq \Delta p < 350P_a$

Product features:

1. The glass is sealed with insulating glass and sealant.
2. Slippery equipped with anti-theft, anti-climbing and anti-collision devices.
3. Slide adopts trapezoidal design; It has narrow rail and wide rail to selection.
4. Up and down equidistant design, both inside and outside can be installed sash screen.
5. The product structure is diverse and can be opened in a variety of ways.
6. Sliding door and window accessories have strong universality.
7. According to the requirements of the rigidity and strength of profile in the project, the window fan can be strengthened to meet the requirements of high strength of doors and windows.

Accessories provided by Guangya:

Item	Price *
Bar Lock	¥ 15- ¥ 25 / pc
Pulley	¥ 3- ¥ 6/ pc
Plastic Accessories	¥ 10/ pair

Item	Price *
Sealant	¥ 2- ¥ 5/
Weather Strip	¥ 0.2- ¥ 0.5/
Silicone Sealant	¥ 10- ¥ 15/ pc

\* For reference only,subject to further change.

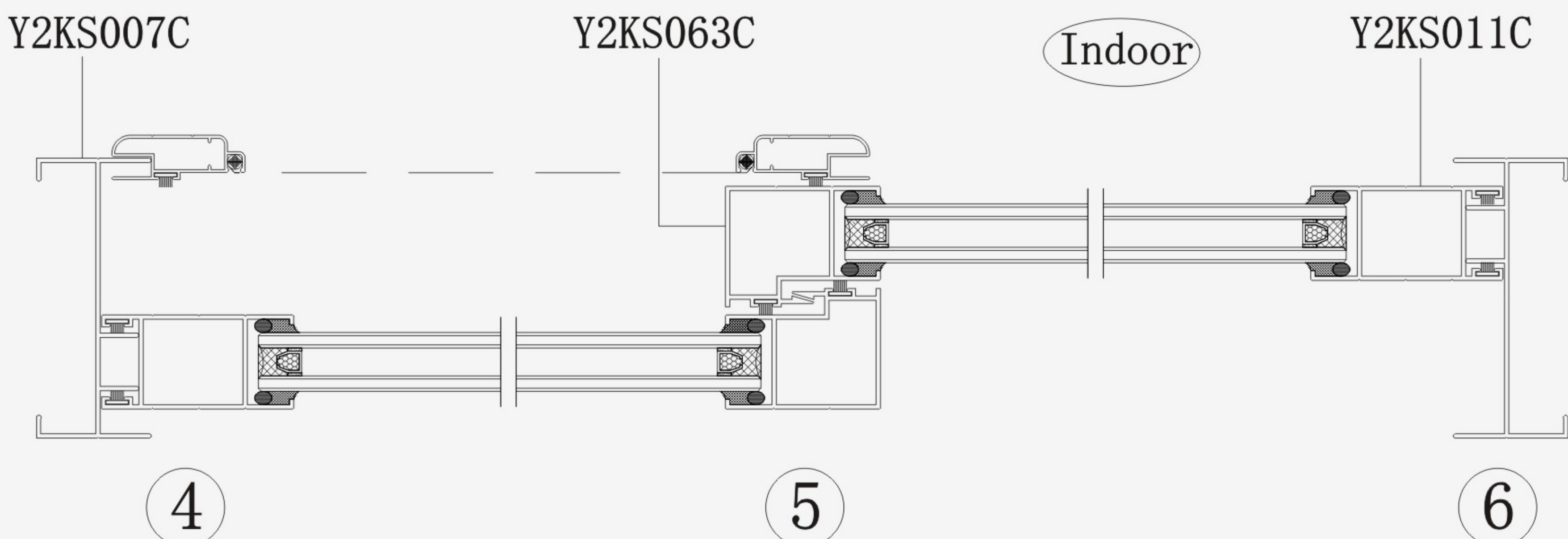
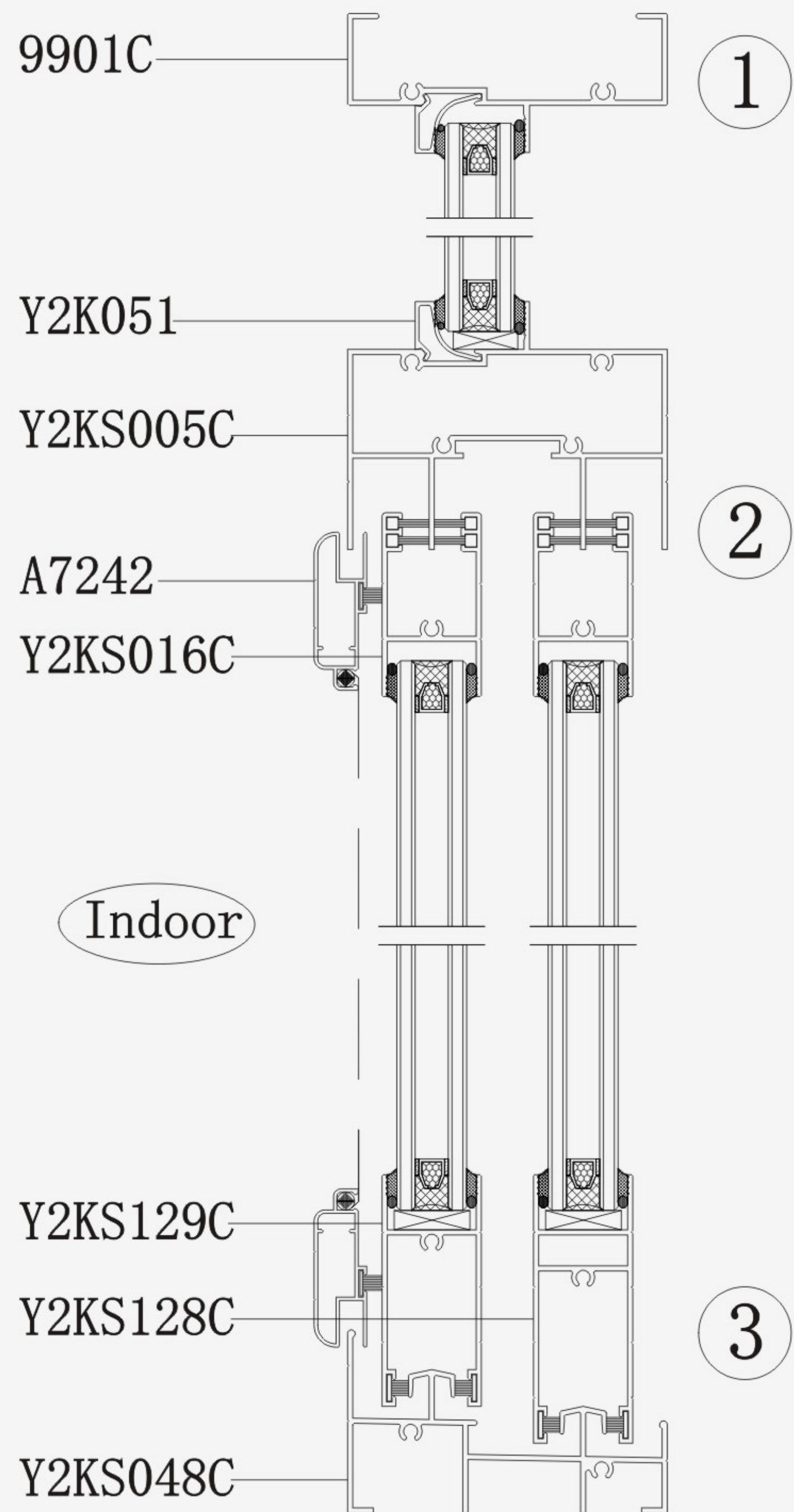
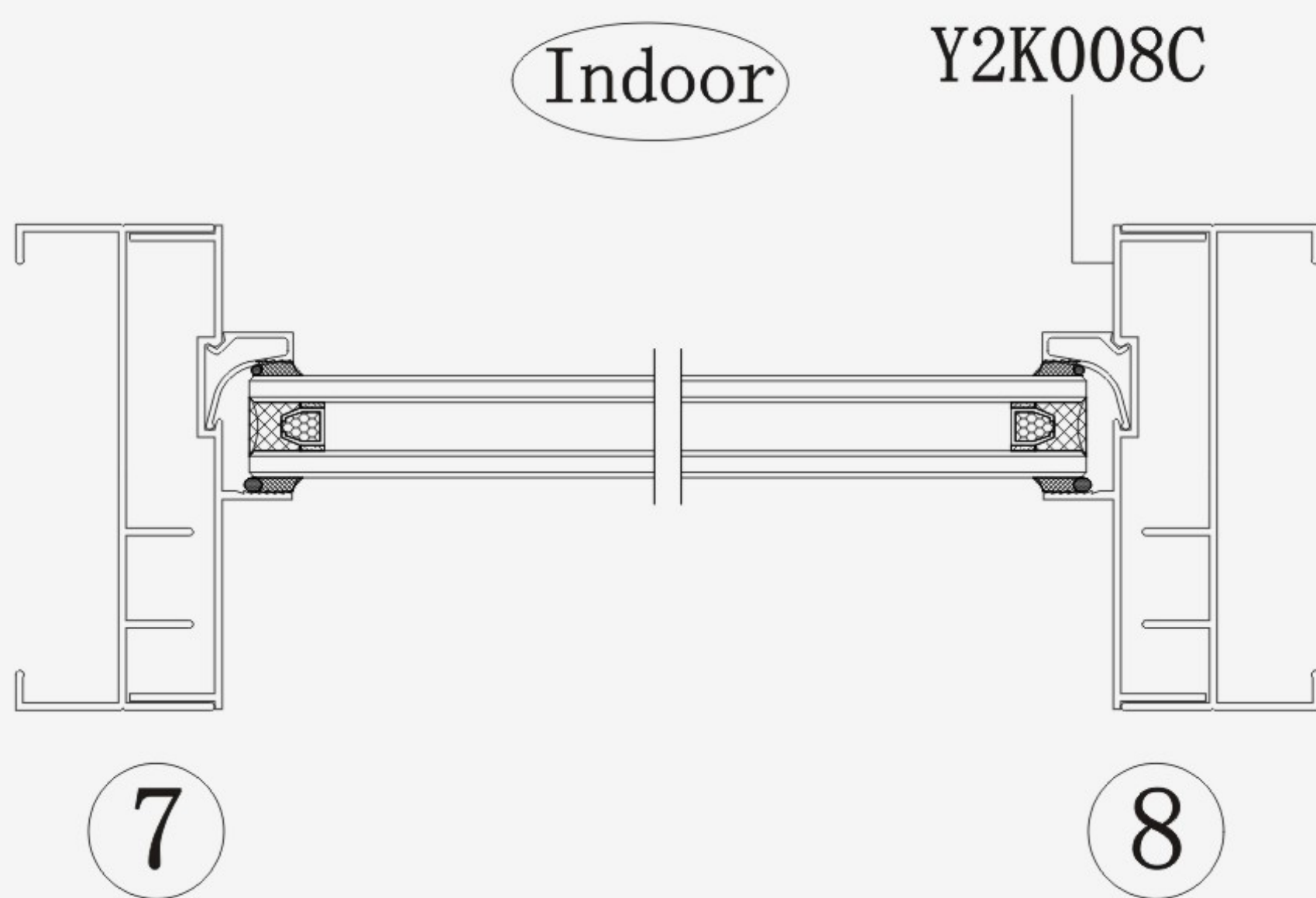
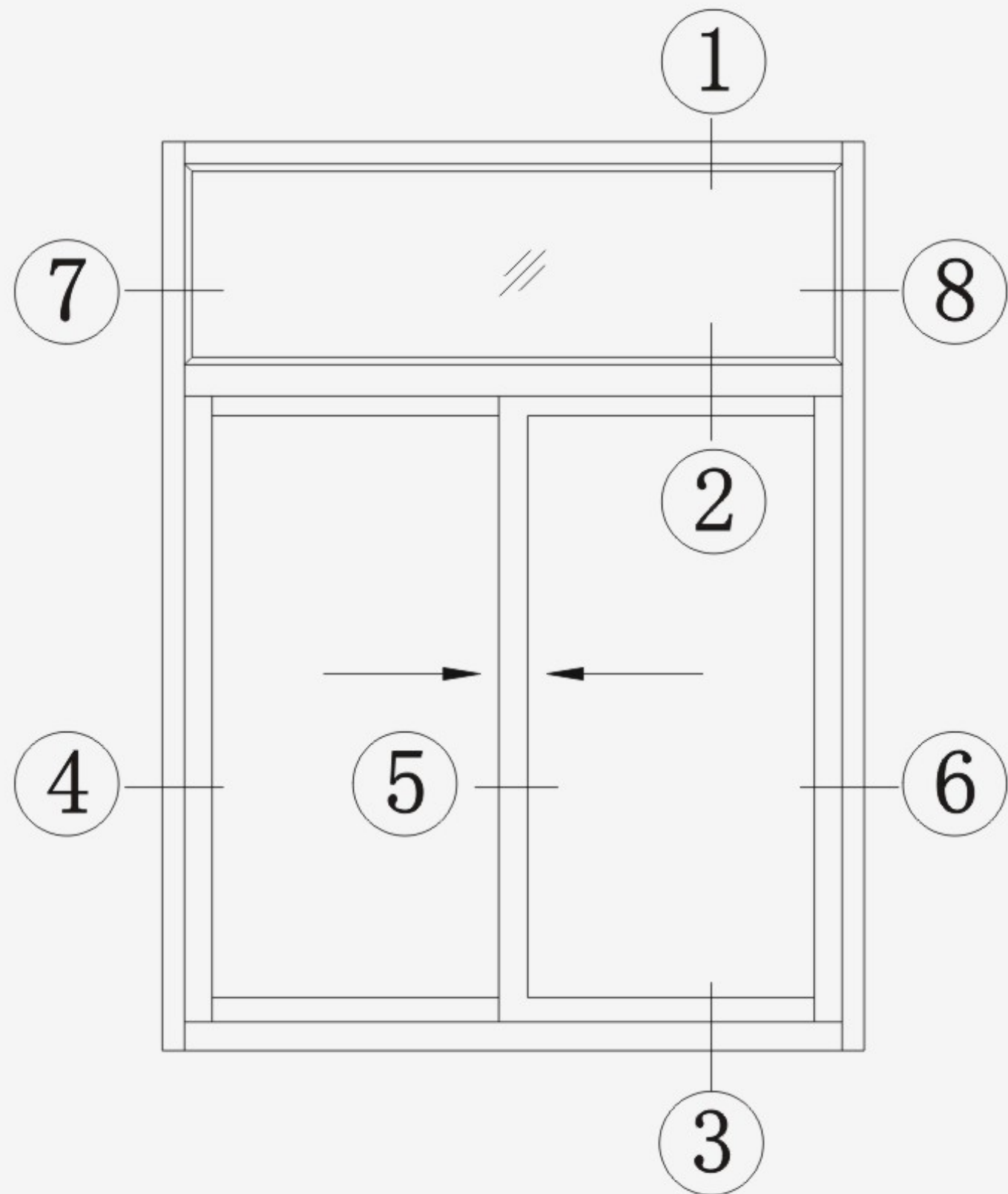




GUANG YA

# Y2KS Series Aluminum Sliding Window With Screen

## Y2KS Series Aluminum Sliding Window With Screen







GUANG YA

# Y2KS Series Aluminum Sliding Window With Screen

<b>Application</b>	Fixed Head	<b>Application</b>	Double Bottom Rail	<b>Application</b>	Sill
<b>DWG No.</b>	Y2KS005C	<b>DWG No.</b>	Y2KS129C	<b>DWG No.</b>	Y2KS048C
<b>Thickness</b>	$\delta = 1.4$	<b>Thickness</b>	$\delta = 1.4$	<b>Thickness</b>	$\delta = 1.4$
<b>T.W.</b>	1.459kg/m	<b>T.W.</b>	0.632kg/m	<b>T.W.</b>	1.116kg/m
<b>Application</b>	Double Out-bottom Rail	<b>Application</b>	Jamb	<b>Application</b>	Double Stile
<b>DWG No.</b>	Y2KS128C	<b>DWG No.</b>	Y2KS007C	<b>DWG No.</b>	Y2KS011C
<b>Thickness</b>	$\delta = 1.4$	<b>Thickness</b>	$\delta = 1.4$	<b>Thickness</b>	$\delta = 1.4$
<b>T.W.</b>	0.799kg/m	<b>T.W.</b>	0.748kg/m	<b>T.W.</b>	0.740kg/m
<b>Application</b>	Jamb Insert Plate	<b>Application</b>	Double Interlock	<b>Application</b>	Fixed Frame
<b>DWG No.</b>	Y2K008C	<b>DWG No.</b>	Y2KS012C	<b>DWG No.</b>	9901C
<b>Thickness</b>	$\delta = 1.4$	<b>Thickness</b>	$\delta = 1.4$	<b>Thickness</b>	$\delta = 1.4$
<b>T.W.</b>	0.542kg/m	<b>T.W.</b>	0.714kg/m	<b>T.W.</b>	0.719kg/m



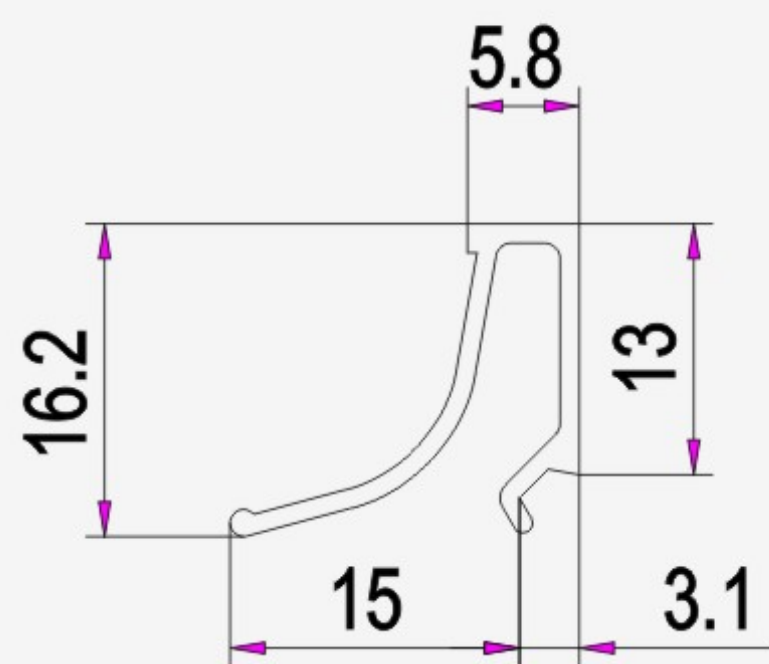


GUANG YA

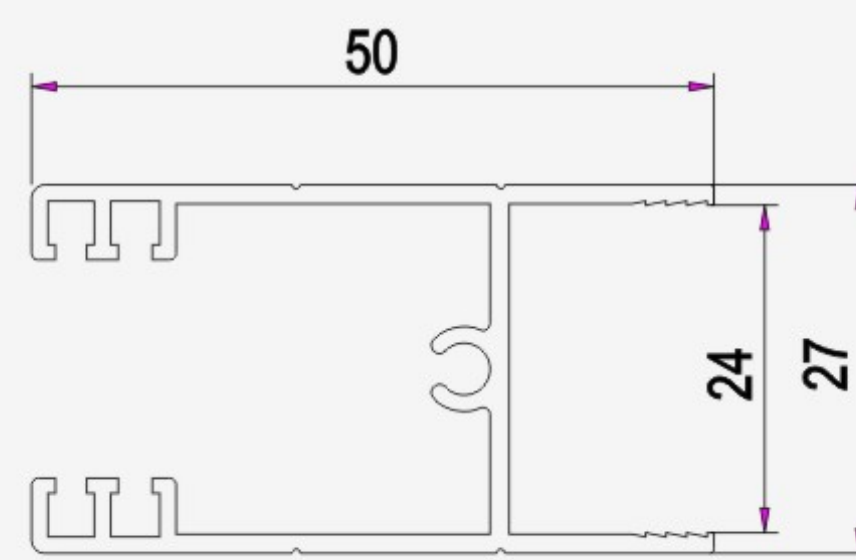
# Y2KS Series Aluminum Sliding Window With Screen

<b>Application</b>	Double-glazing Bead
<b>DWG No.</b>	Y2K051
<b>Thickness</b>	$\delta = 1.0$
<b>T.W.</b>	0.127kg/m

\* Assembled For Y2KS005C, Glazed For 24mm.

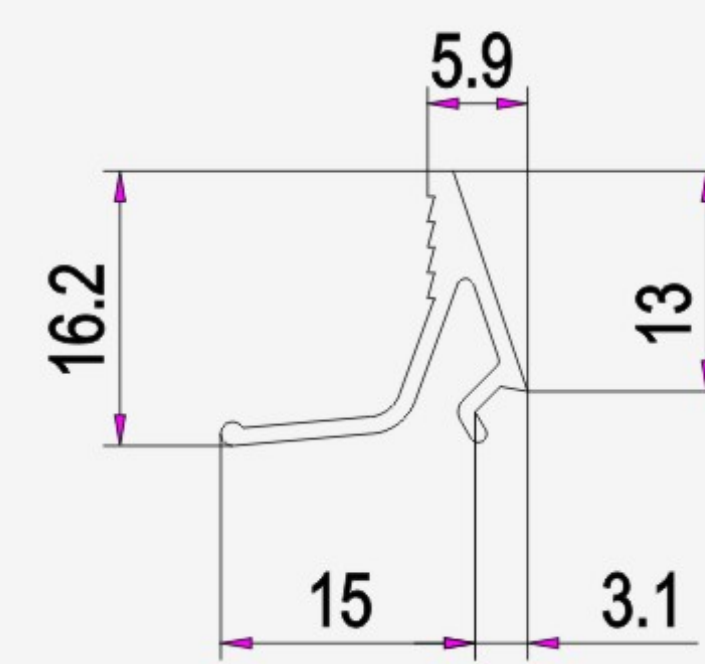


<b>Application</b>	Double Top Rail
<b>DWG No.</b>	Y2KS016C
<b>Thickness</b>	$\delta = 1.4$
<b>T.W.</b>	0.583kg/m



<b>Application</b>	Double-glazing Bead
<b>DWG No.</b>	38117
<b>Thickness</b>	$\delta = 1.0$
<b>T.W.</b>	0.129kg/m

\* Assembled For Y2KS005C, Glazed For 24mm.



<b>Application</b>	Screens
<b>DWG No.</b>	A7242
<b>Thickness</b>	$\delta = 0.9$
<b>T.W.</b>	0.318kg/m

